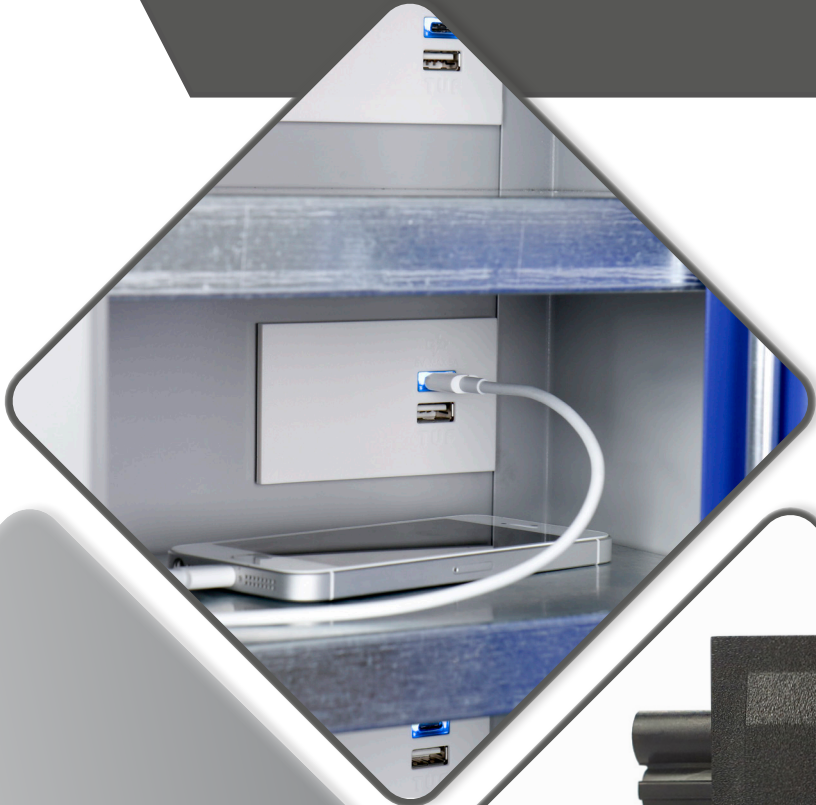


# POWER DISTRIBUTION

locker power solutions



**aeelsafe**  
always innovating

# POWER SOLUTIONS

Integrating power into lockers in workspaces, education spaces, libraries, gyms, and leisure centres provides the convenience of laptop, tablet, and smartphone charging.

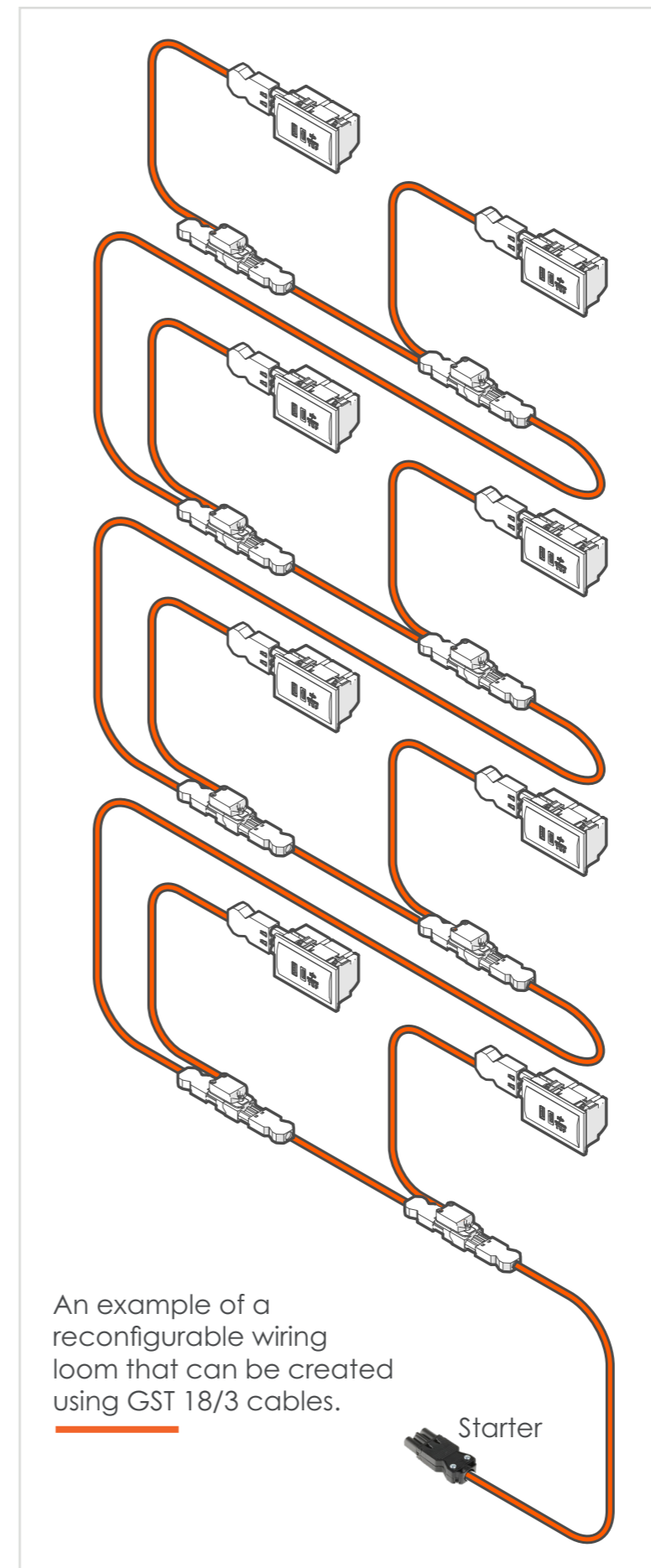
OE can assist in the design process to seamlessly add charging capability to lockers and other tricky spaces to ensure end users always have a reliable place to power up. Send your enquiry to [sales@oeelsafe.com.au](mailto:sales@oeelsafe.com.au).

OE's power solutions include the 2023 Australian Business ECO-Innovation Award-winning TUF-R USB charging module.

TUF-R is quick and simple to replace without the need to turn off the power or call an electrician. The unique and patented benefit of being replaceable makes TUF-R perfect for areas of high traffic, such as public spaces, education, and hospitality, where, if damaged, TUF-R can quickly be replaced. Replacing or upgrading the TUF-R module and not the whole product saves time, resources, and reduces waste.



[CLICK to see how easy the award winning TUF-R is to replace](#)



An example of a reconfigurable wiring loom that can be created using GST 18/3 cables.

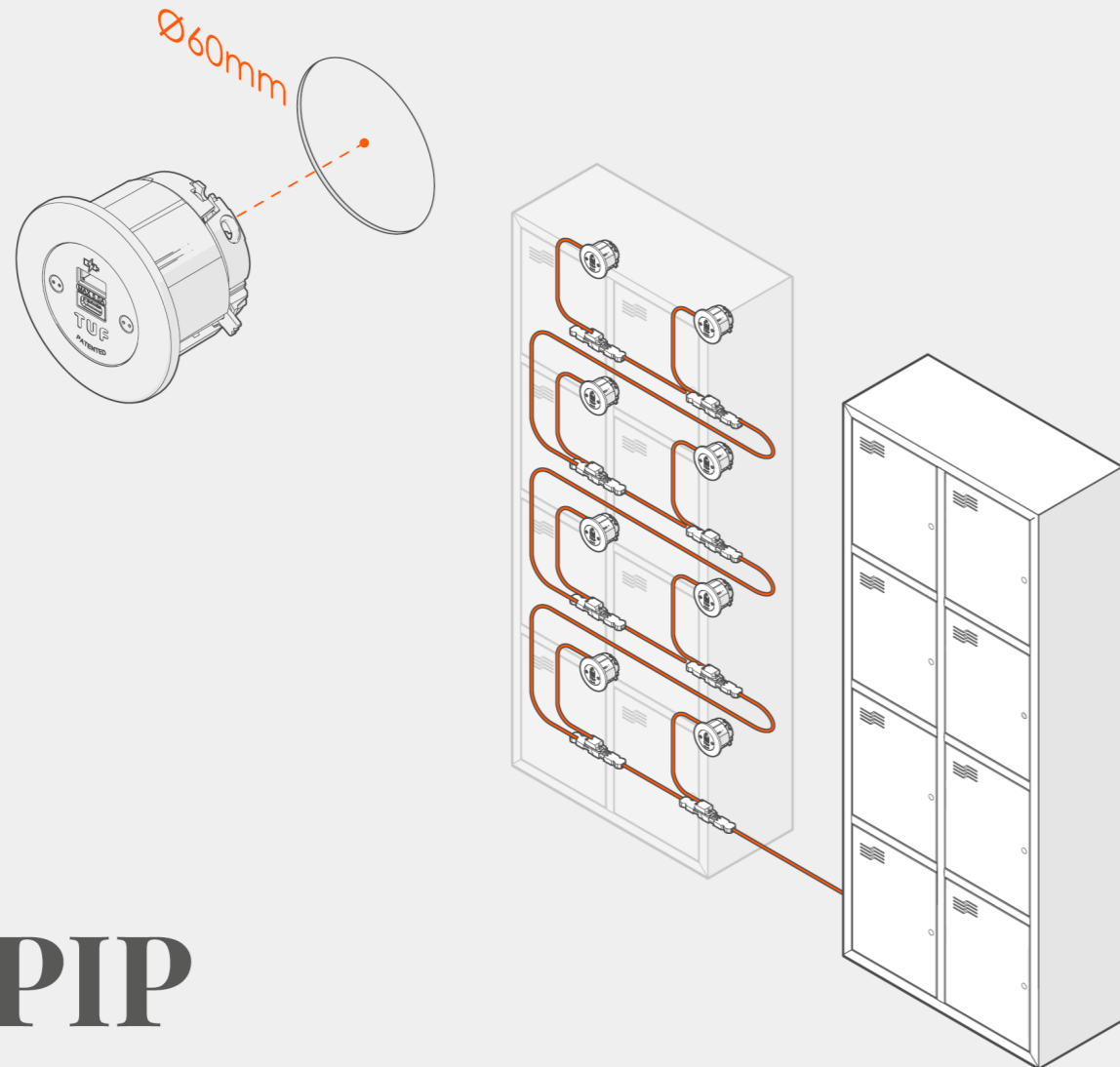
Click-and-connect wiring makes installing OE units into lockers quick and easy. Simply snap the unit into a suitable cut-out, then create a reconfigurable wiring loom from GST 18/3 power cables.

Unlike traditional wiring, GST wiring uses click-and-connect connectors for a tool-less install.

Another key benefit is that several lockers can be safely powered from a single power source, ideal for locations with little access to wall sockets.

Should the USB charger in one of the lockers become damaged, it can be removed and replaced without disrupting the other lockers around it.

PIP, PIP2, and PUMA come with removable TUF-R USB charging modules, meaning that the USB charger can be replaced in-situ, without removing the unit from the locker.

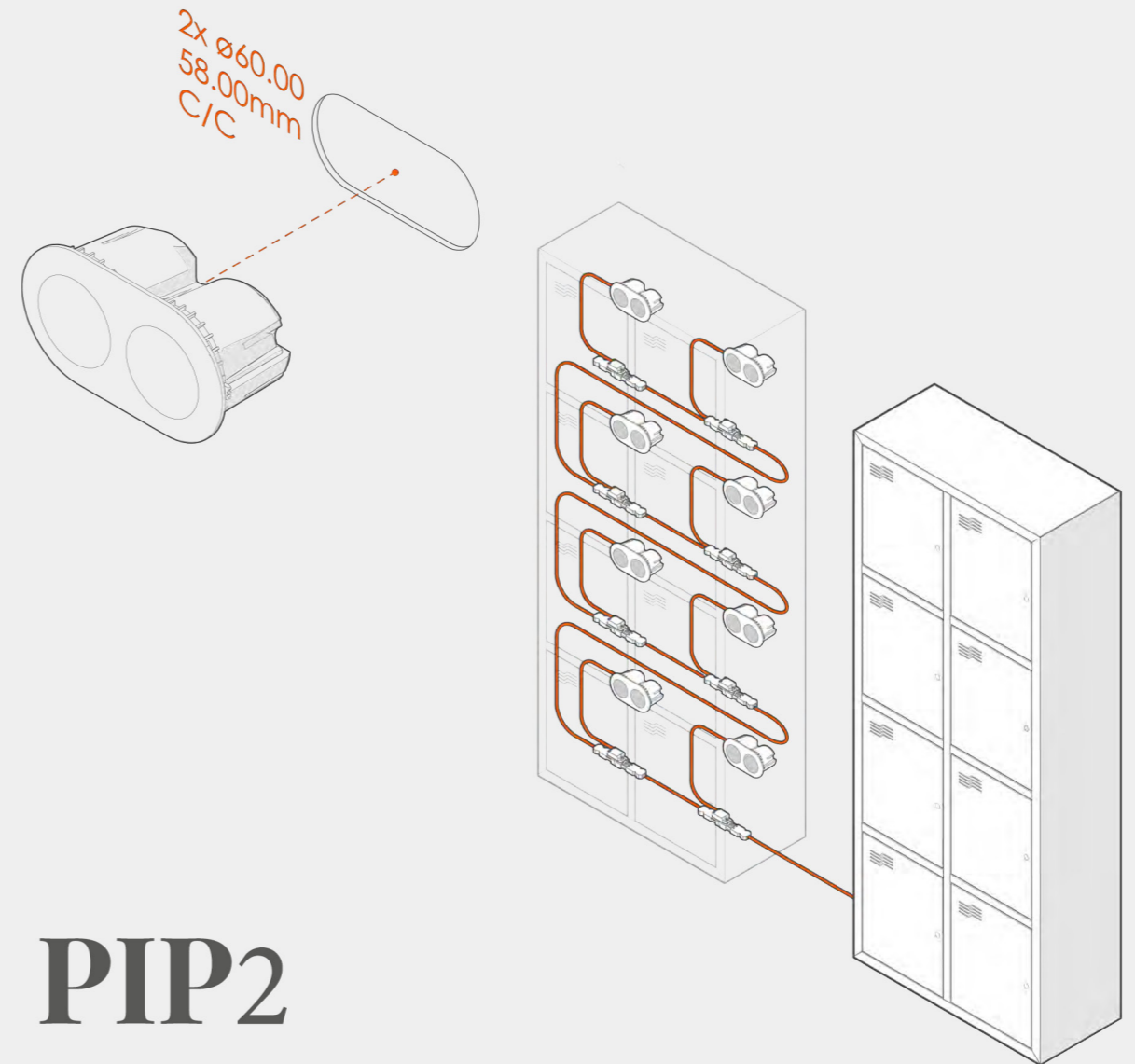


# PIP

PIP can be configured with a single OE Elsafe mains AC socket or our eco award-winning TUF-R or TUF-R HP\* USB charging modules.

Designed specifically for panel mounting in furniture, PIP fits into a standard 60mm cable grommet opening and requires only 44mm of depth. Integrated fixings enable quick installation in most surfaces from 0.9mm to 30mm thick, including panels with limited rear access.

PIP is supplied as a prewired unit with a hardwired power cable and three-pin plug or a GST18 connector, ready for installation. Two or more PIP units can be interlinked to provide combinations of AC power and USB fast charging to suit the requirements of the user.

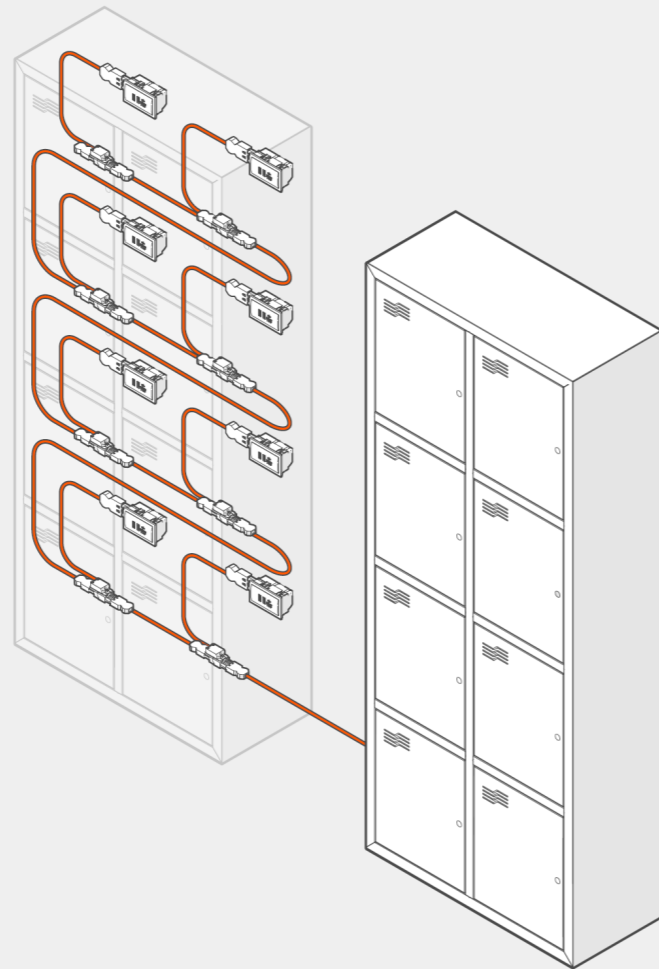
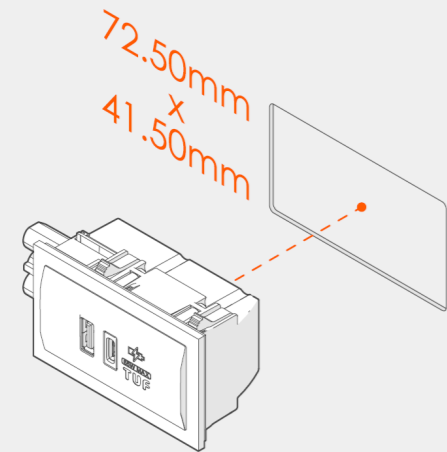


# PIP2

PIP2 can be configured with two OE Elsafe mains AC sockets or two TUF-R USB charging modules, or one of each.

TUF comes in two power options, TUF-R (25W) for smartphones and tablets and TUF-R HP (72W)\* to include laptop charging.

\*TUF-R HP requires an external power supply unit (PSU).

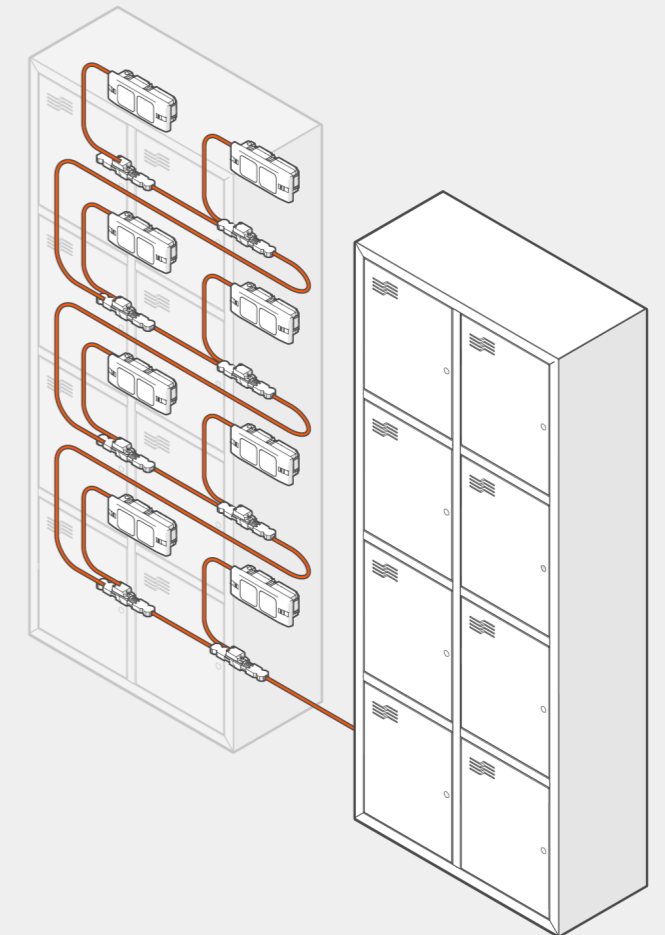
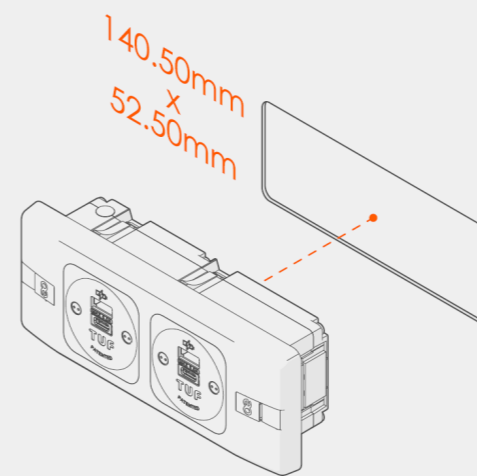


# QF15 TUF HP

QikFIT TUF HP provides high powered USB C charging for laptops and mobiles, with the added convenience of the world's first reversible USB type A port for first time connection, every time.

Compact but powerful QikFIT TUF HP can be panel mounted, fitting neatly into lockers.

Providing up to 60W of laptop charging power through the USB Type-C port, QikFIT TUF HP also provides fast charging through the USB Type-A port for mobiles and tablets.



# PUMA

PUMA can be configured with any combination OE Elsafe mains AC sockets, TUF-R (25W) USB smartphone and tablet charging modules or TUF-R HP\* (72W) USB charging modules to include laptops.

PUMA can be fitted into virtually any panel within a furniture range, from extruded trunking to modesty panels as well as soft furnishings and can be specified to meet particular requirements.

\*TUF-R HP requires an external power supply unit (PSU).

# POWER DISTRIBUTION

## locker power solutions

### OE ELSAFE

+61 2 9454 7500 (1300 ELSAFE)  
Email: [sales@oeelsafe.com.au](mailto:sales@oeelsafe.com.au)  
[www.oeelsafe.com.au](http://www.oeelsafe.com.au)

New Zealand Distributor:

### JACKSON INDUSTRIES LTD

+64 9 634 3376  
Email: [sales@jackson.co.nz](mailto:sales@jackson.co.nz)  
[www.jackson.co.nz](http://www.jackson.co.nz)

Europe, Asia, Middle East & the Americas:

### OE ELECTRICS

+44 0 1924 367255  
Email: [sales@oeelectrics.co.uk](mailto:sales@oeelectrics.co.uk)  
[www.oeelectrics.co.uk](http://www.oeelectrics.co.uk)

**oeelsafe**  
always innovating